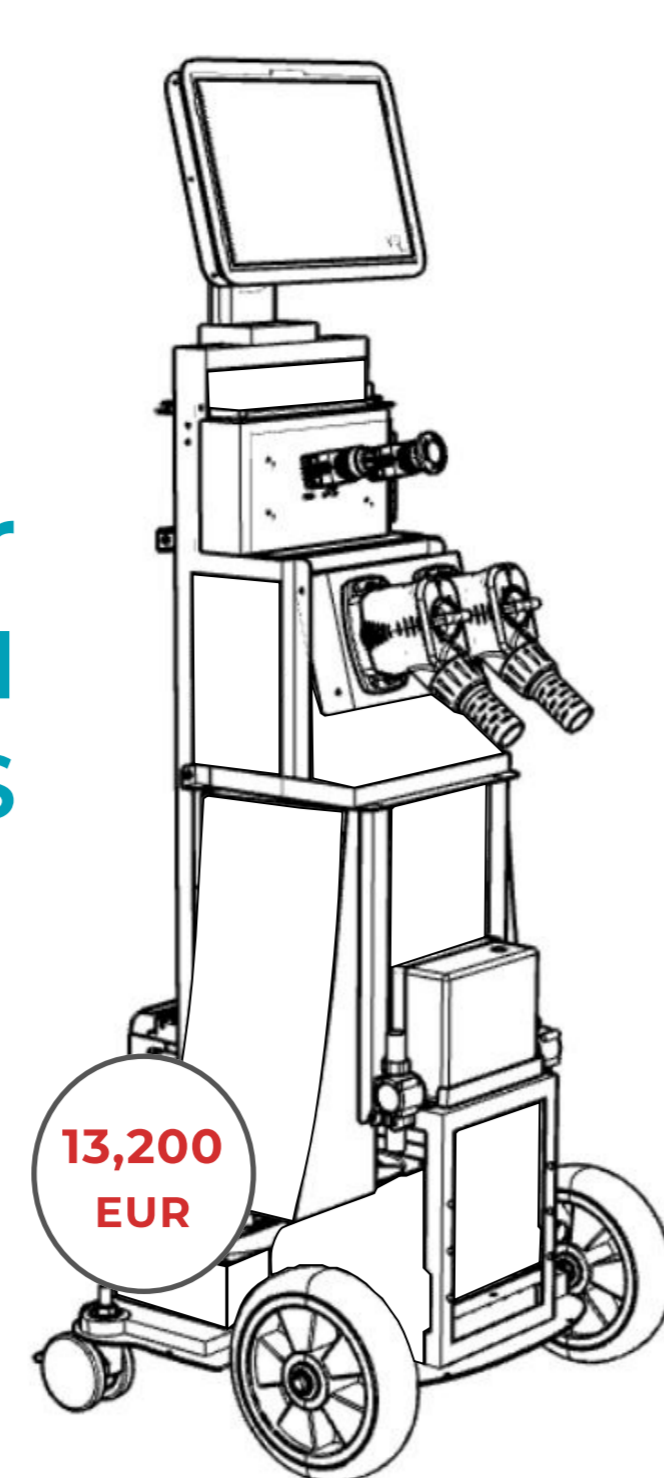


**Laser for hair removal**  
**HR-600-1200-808DS**



**Stand-alone dual-handle 808 nm diode laser**

Gold standard for hair removal, suitable for all hair types and skin colors, including tanned

Handle power **600 W + 1,200 W**

+421 353 211 408 | fitaims.com | info@fitaims.com



Diode laser treats unwanted hair by selectively heating and destroying the melanin in the hair follicles, and thus interrupting the hair growth. By targeting the specific areas in the skin the laser does not damage the surrounding tissue.

**808 nm diode laser is the most professional hair removal device** as it is:

- **Safe and comfortable.** High melanin absorption rate and ultra-short pulse make the treatment less painful. Advanced sapphire cooling system protect the skin from overheating.
- Suitable for treatment of almost **all skin types** including tanned and dark skin.
- Has a certain **skin rejuvenation** "side-effect". Promotes collagen production and thus improves skin condition.

**Two handles allow better treatment experience:**



12X12 mm

**smaller spot size** for face, chin, lips, hairline, forehead

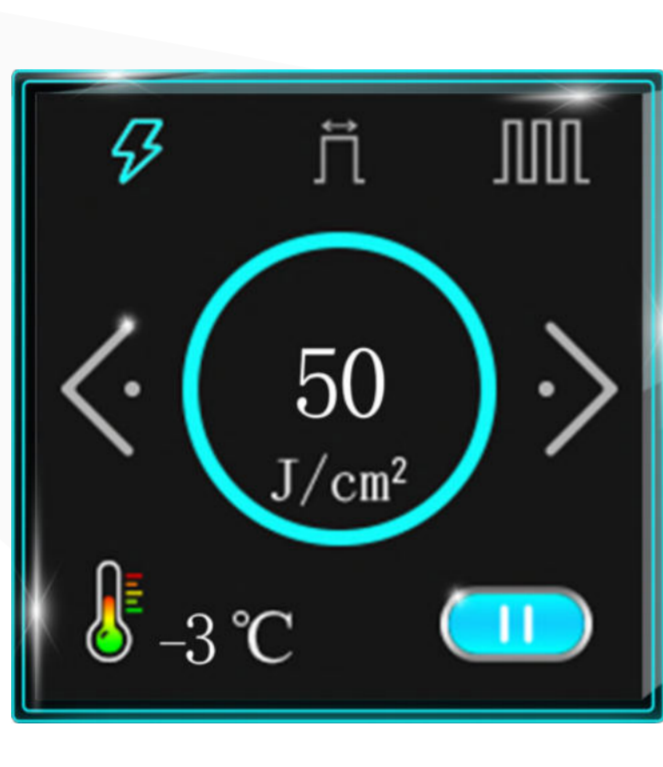


12X20 mm

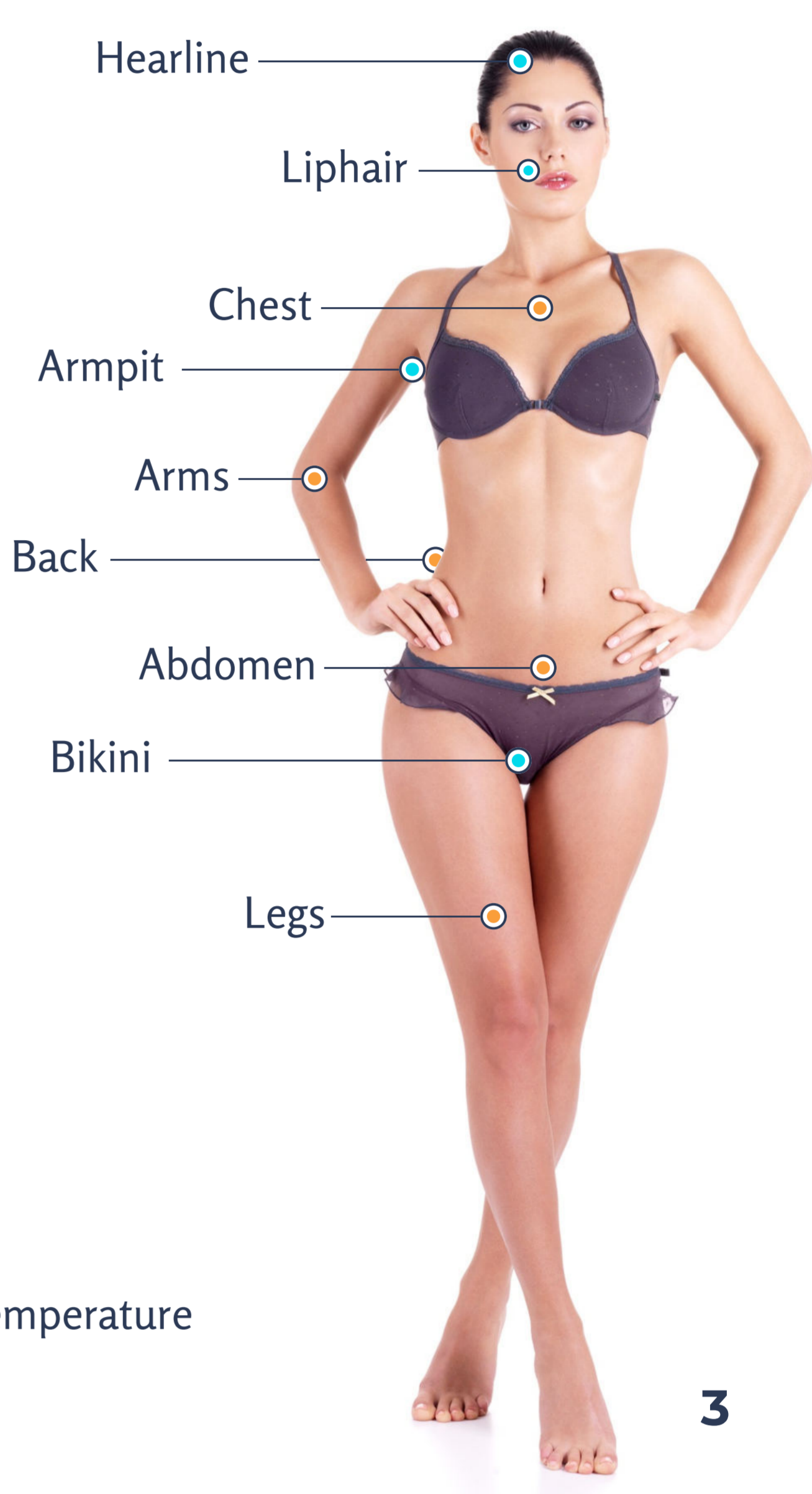
**larger spot size** for larger treatment areas like bikinis, thighs, calves, upper limbs, underarms



**Touch-screen control**



- Frequency adjustment
- Pulse width adjustment
- Energy adjustment
- Real-time temperature monitoring



**Highlights**



**dual handle size**  
12x12 mm and 12x20 mm:  
allows to treat any body zone

**large screen size**  
12.1" and mini 1.54" handle screen make operator's work convenient and fast

**long service life**  
guaranteed 100,000,000 shots - long-lasting and seamless machine operation

**efficiency**  
high output power ensures fast and stable result

**EASY**  
**easy operation**  
intelligent software with preset parameters for all skin types

**-t°**  
**TEC cooling system**  
comfortable treatment & 12-hour downtime-free machine operation



**Temperature sensor position**

Temperature sensor is installed in the handle. The surface temperature is monitored in real time and displayed on the screen.

**Sapphire crystal**

The sapphire glass provides effective treatment area cooling (up to -30°C) to make the hair removal process safer.



**Super refrigeration system**

Two semiconductor cooling plates, 108 W super cooling power, the surface temperature of the spot can reach -30°C.

**Accessories**



1,200 W handle (12x12 mm)

**5,000 EUR**



Face tip (only for 12x12 mm handle)

**400 EUR**



Customer's eye protector

**6 EUR**



Operator's goggles

**100 EUR**

**Warranty**

2 year warranty for spare parts.

During the first year of warranty, spare parts and delivery are free of charge. During the second year, only spares are free of charge, the delivery should be covered by the customer.

**Downtime**

12 hours of continuous work guaranteed

**Servicing / Maintenance**

Generally the machine is maintenance-free.

Keep the handles clean to ensure hygiene.

There may be a need to refill water in a water cooling tank approximately once per 6 months, the corresponding warning will appear on the machine screen.



**Specifications**

<b>Wavelength</b>	808 nm
<b>Pulse width</b>	1-200 msec
<b>Energy density</b>	1-120 J/cm <sup>2</sup> (deviation ≤ ±2%)
<b>Handle power</b>	600 W + 1,200 W
<b>Frequency</b>	1-10 Hz
<b>Spot size</b>	12*12 mm (600 W) + 12*20 mm (1,200 W)
<b>Power requirements</b>	220 V ± 10% 10 A 50 Hz 110 V ± 10% 10 A 60 Hz
<b>Power consumption</b>	3,000 W

<b>Dimensions</b>	<b>Package size</b>	<b>Net weight</b>
512x541x1303 mm	630 x 690 x 1210 mm	54 kg

